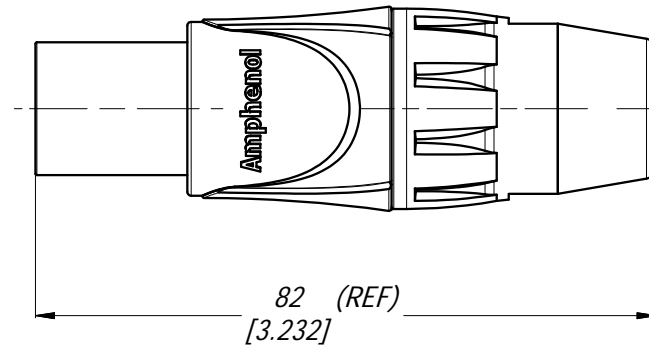
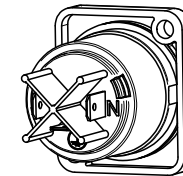
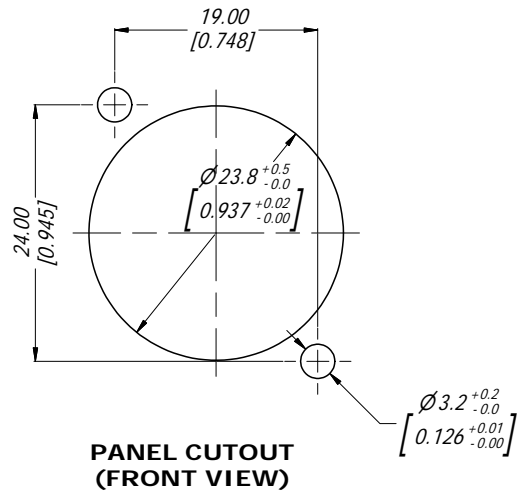
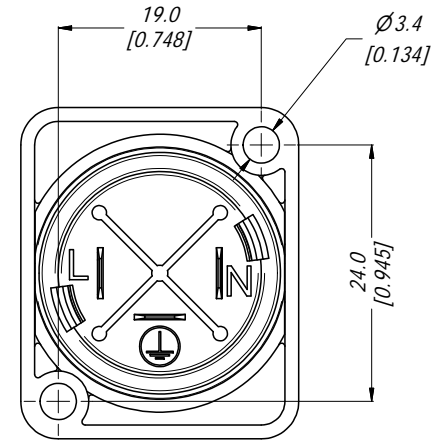
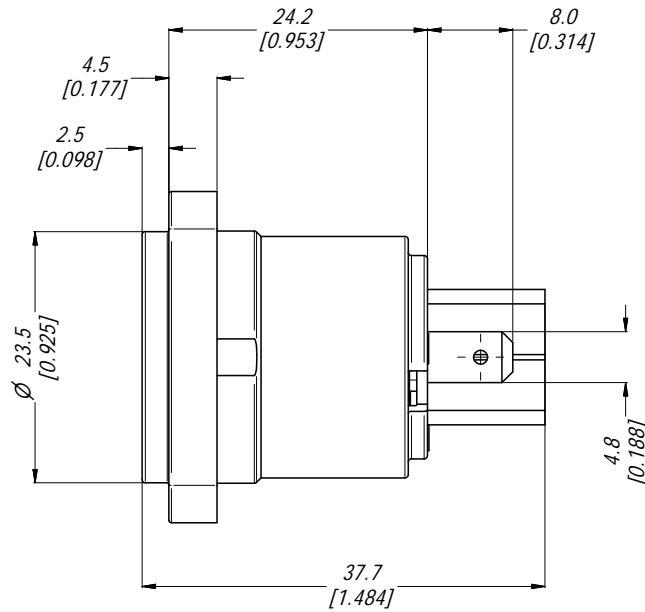
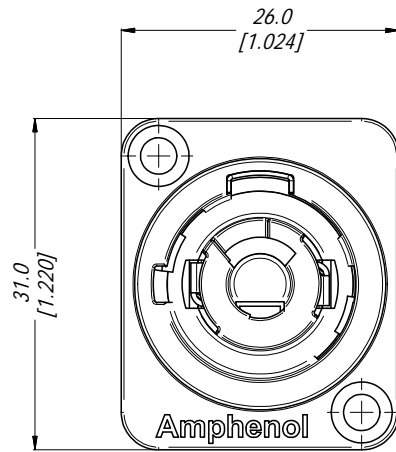


3D VIEW
1:1



UL CERTIFICATE 20140623-E339831

| | | | | | | | | | |
|---|---------|--|--------|---------------------------|-------|-----------------|--|--|----------|
| UNLESS OTHERWISE SPECIFIED TOLERANCE TO BE | | THIS DOCUMENT IS THE PROPERTY OF AMPHENOL AUSTRALIA PTY. LTD. NO PART THEREOF MAY BE REPRODUCED AND USED WITHOUT THE PRIOR WRITTEN CONSENT OF THE OWNER. | | | | Amphenol | | Amphenol Australia Pty.Ltd, 22 Industry Blvd Carrum Downs, VIC 3201 | |
| LINEAR | ANGULAR | MATERIAL: | DRN: | T.N | DATE: | 21/01/14 | TITLE: | PART No: | REV |
| X ± | X' ± | | CKD: | P.M | DATE: | 22/01/14 | CONNECTOR PLUG POWER IN - BLUE CUSTOMER DWG | HP-3-F | 1 |
| X.X ± | X.X' ± | | APP'D: | P.M | DATE: | 22/01/14 | | | |
| X.XX ± | X.XX' ± | FINISH: | SCALE: | 1:1 | SIZE: | A4 | 55010925-000 | 2/2 | |
| BREAK ALL SHARP EDGES AND REMOVE ALL BURRS | | DIMENSIONS IN MILLIMETRES | | THIRD ANGLE PROJECTION | | | | | |
| DO NOT SCALE | | | | | | | | | |



3D VIEW
1 : 1

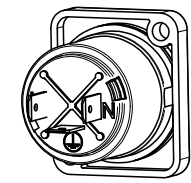
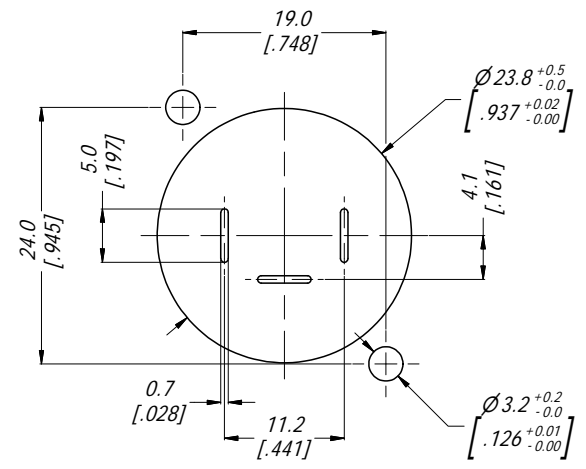
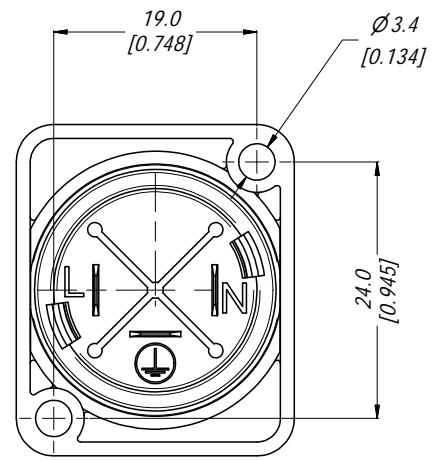
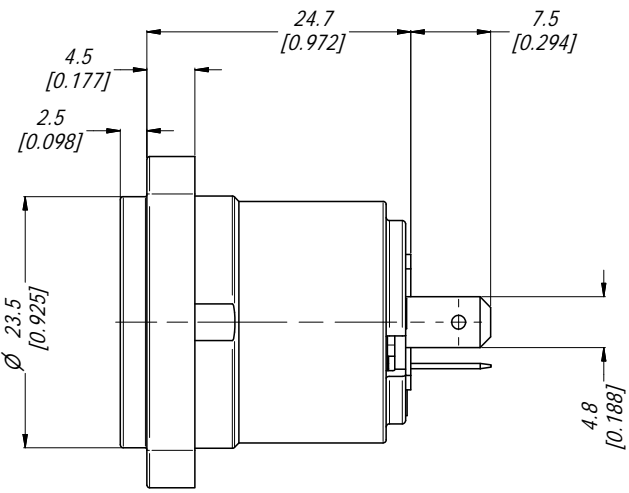
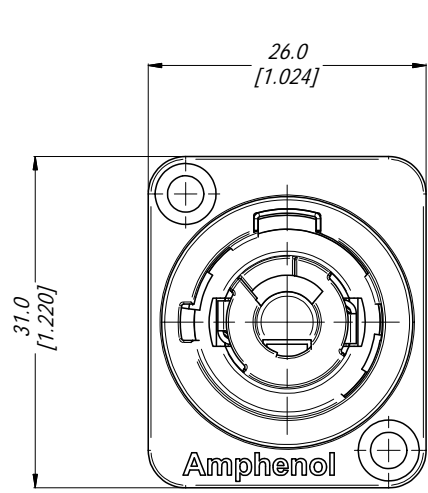
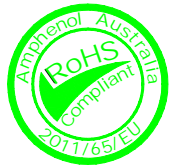


UL CERTIFICATE 20150106-E339831

| | | | | |
|--|--------------|--|------------|----------------|
| UNLESS OTHERWISE SPECIFIED TOLERANCE TO BE | | THIS DOCUMENT IS THE PROPERTY OF AMPHENOL AUSTRALIA PTY. LTD. NO PART THEREOF MAY BE REPRODUCED AND USED WITHOUT THE PRIOR WRITTEN CONSENT OF THE OWNER. | | |
| LINEAR | ANGULAR | MATERIAL: | DRN: T.N | DATE: 16/12/14 |
| X ± 0.5 | X' ± 1 | | CKD: P.M | DATE: 16/12/14 |
| X.X ± 0.1 | X.X' ± 30° | | APP'D: P.M | DATE: 16/12/14 |
| X.X ± 0.05 | X.X.X' ± 15° | | | |
| BREAK ALL SHARP EDGES AND REMOVE ALL BURRS | | DO NOT SCALE | FINISH: | |
| DIMENSIONS IN MILLIMETRES | | THIRD ANGLE PROJECTION | | |
| | | SCALE: 2:1 | SIZE: A3 | |

| | | | |
|--|--------------------------------------|--|--|
| Amphenol | | Amphenol Australia Pty.Ltd, 22 Industry Blvd, Carrum Downs VIC 3201 | |
| TITLE: HP PANEL MOUNT POWER IN - BLUE CUSTOMER DWG | PART No: HP-3-MD | REV 1 | |
| | DRAWING No. 55011015-000-2 | SHEET 1/2 | |

CB4.17.F1



3D VIEW
1:1

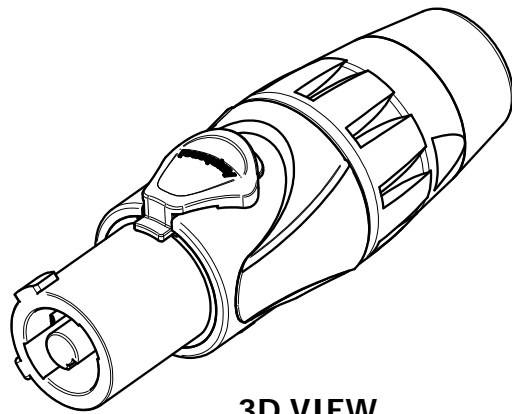
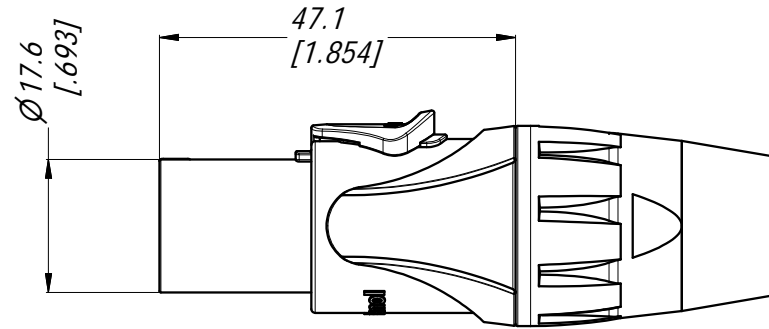
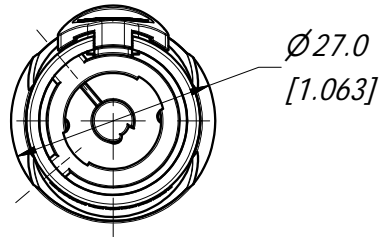
PANEL CUTOUT & PCB LAYOUT
(FRONT VIEW)



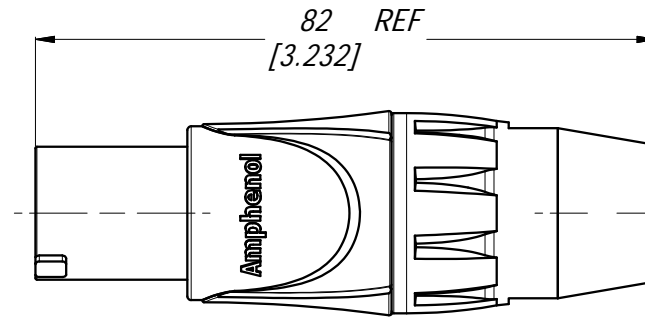
UL CERTIFICATE 20150106-E339831

| | | | | |
|--|--------------|--|------------|----------------|
| UNLESS OTHERWISE SPECIFIED TOLERANCE TO BE | | THIS DOCUMENT IS THE PROPERTY OF AMPHENOL AUSTRALIA PTY. LTD. NO PART THEREOF MAY BE REPRODUCED AND USED WITHOUT THE PRIOR WRITTEN CONSENT OF THE OWNER. | | |
| LINEAR | ANGULAR | MATERIAL: | DRN: T.N | DATE: 16/12/14 |
| X ± 0.5 | X' ± 1 | | CKD: P.M | DATE: 16/12/14 |
| X.X ± 0.1 | X.X' ± 30° | | APP'D: P.M | DATE: 16/12/14 |
| X.X ± 0.05 | X.X.X' ± 15° | | | |
| BREAK ALL SHARP EDGES AND REMOVE ALL BURRS | | | | |
| DO NOT SCALE | | FINISH: | | |
| DIMENSIONS IN MILLIMETRES | | THIRD ANGLE PROJECTION | | |
| | | SCALE: 2:1 | SIZE: A3 | |

| | |
|--|-----------------|
| Amphenol Amphenol Australia Pty.Ltd, 22 Industry Blvd, Carrum Downs VIC 3201 | |
| TITLE: | PART No: |
| HP PANEL MOUNT POWER IN - BLUE CUSTOMER DWG | HP-3-MDW |
| DRAWING No. | SHEET |
| 55011015-000-2 | 2 / 2 |

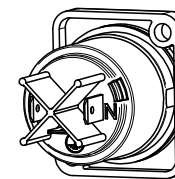
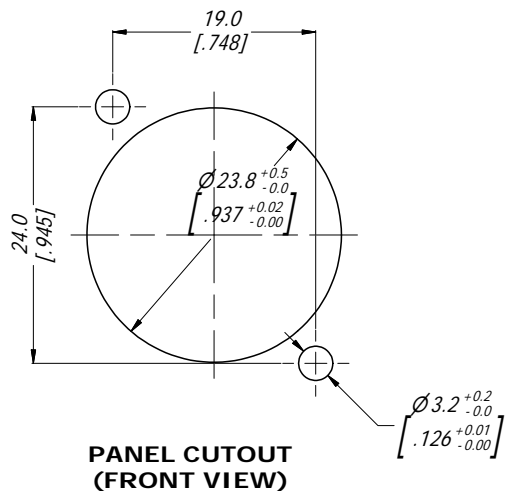
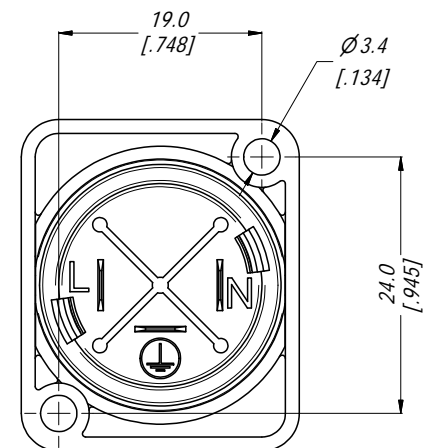
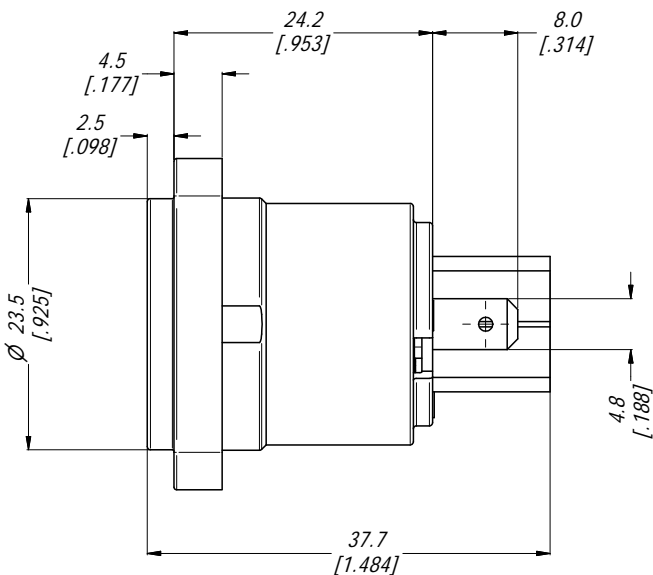
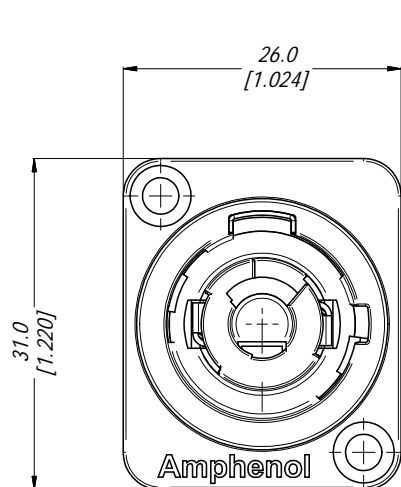


3D VIEW
1:1



UL CERTIFICATE 20140623-E339831

| | | | | | | | |
|---|---------|--|-------------------|---------------------------|---------------------------|--|------------|
| UNLESS OTHERWISE SPECIFIED TOLERANCE TO BE | | THIS DOCUMENT IS THE PROPERTY OF AMPHENOL AUSTRALIA PTY. LTD. . NO PART THEREOF MAY BE REPRODUCED AND USED WITHOUT THE PRIOR WRITTEN CONSENT OF THE OWNER. | | | | Amphenol Amphenol Australia Pty.Ltd, 22 Industry Blvd Carrum Downs, VIC 3201 | |
| LINEAR | ANGULAR | MATERIAL: | DRN: T.N | DATE: 21/01/14 | TITLE: | PART No: | REV |
| X ± | X' ± | | CKD: P.M | DATE: 22/01/14 | CONNECTOR PLUG | HP-3-FG | 1 |
| X.X ± | X.X' ± | | APP'D: P.M | DATE: 22/01/14 | POWER OUT 20A GREY | DRAWING No. | SHEET |
| X.XX ± | X.XX' ± | FINISH: | SCALE: 1:1 | SIZE: A4 | CUSTOMER DWG | 55010926-000 | 2/2 |
| BREAK ALL SHARP EDGES AND REMOVE ALL BURRS | | DIMENSIONS IN MILLIMETRES | | THIRD ANGLE PROJECTION | | CB4.17.F1 | |
| DO NOT SCALE | | | | | | | |



3D VIEW
1:1

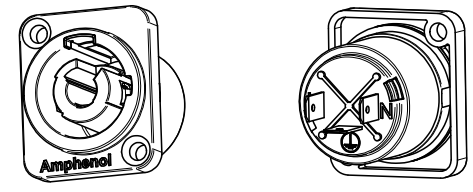
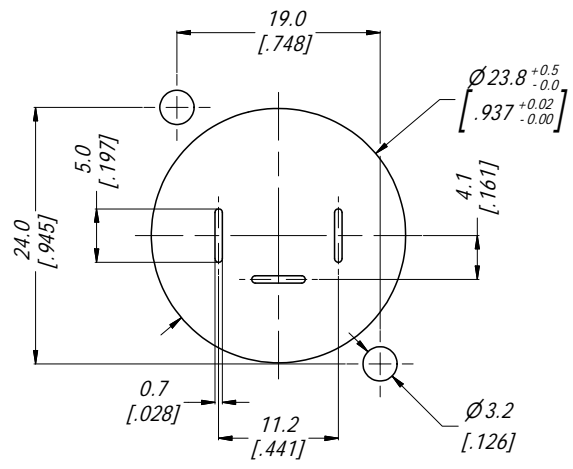
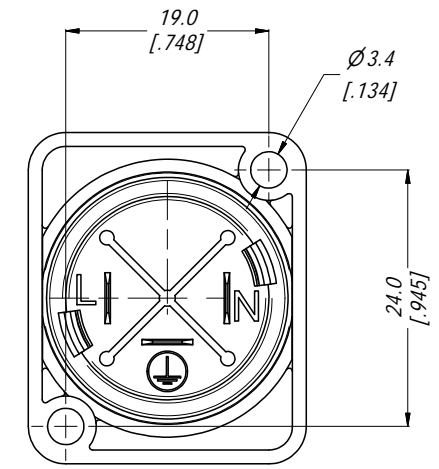
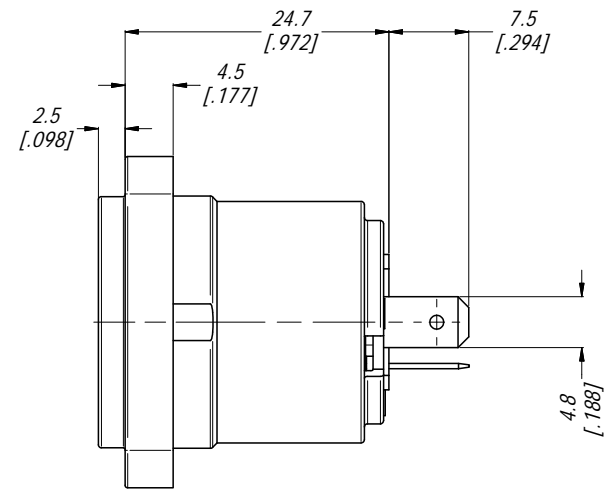
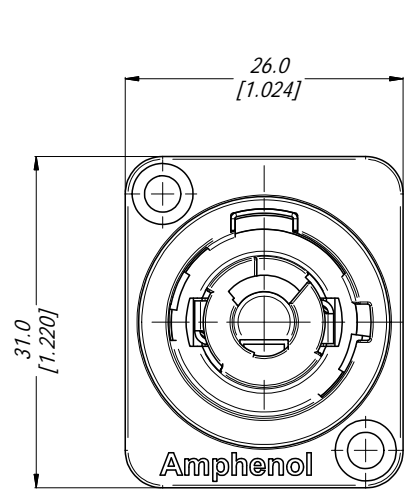


UL CERTIFICATE 20150106-E339831

| | | | | |
|--|--------------|--|------------|----------------|
| UNLESS OTHERWISE SPECIFIED TOLERANCE TO BE | | THIS DOCUMENT IS THE PROPERTY OF AMPHENOL AUSTRALIA PTY. LTD. NO PART THEREOF MAY BE REPRODUCED AND USED WITHOUT THE PRIOR WRITTEN CONSENT OF THE OWNER. | | |
| LINEAR | ANGULAR | MATERIAL: | DRN: T.N | DATE: 16/12/14 |
| X ± 0.5 | X' ± 1 | | CKD: P.M | DATE: 16/12/14 |
| X.X ± 0.1 | X.X' ± 30° | | APP'D: P.M | DATE: 16/12/14 |
| X.X ± 0.05 | X.X.X' ± 15° | | | |
| BREAK ALL SHARP EDGES AND REMOVE ALL BURRS | | SCALE: 2:1 SIZE: A3 | | |
| DO NOT SCALE | | THIRD ANGLE PROJECTION | | |
| DIMENSIONS IN MILLIMETRES | | | | |

| | | | |
|-----------------|--|--|----------------|
| Amphenol | | Amphenol Australia Pty.Ltd, 22 Industry Blvd, Carrum Downs VIC 3201 | |
| TITLE: | HP PANEL MOUNT POWER OUT - GREY CUSTOMER DWG | PART No: | HP-3-MDG |
| | | DRAWING No. | 55011014-000-2 |
| | | REV | 1 |
| | | SHEET | 1/2 |

CB4.17.F1



3D VIEW
1:1

PANEL CUTOUT & PCB LAYOUT
(FRONT VIEW)



UL CERTIFICATE 20150106-E339831

| | | | | | |
|--|--------------|--|---------|------------|----------------|
| UNLESS OTHERWISE SPECIFIED TOLERANCE TO BE | | THIS DOCUMENT IS THE PROPERTY OF AMPHENOL AUSTRALIA PTY. LTD. NO PART THEREOF MAY BE REPRODUCED AND USED WITHOUT THE PRIOR WRITTEN CONSENT OF THE OWNER. | | | |
| LINEAR | ANGULAR | MATERIAL: | DRN: | T.N | DATE: 16/12/14 |
| X ± 0.5 | X' ± 1 | | CKD: | P.M | DATE: 16/12/14 |
| X.X ± 0.1 | X.X' ± 30° | | APP'D: | P.M | DATE: 16/12/14 |
| X.X ± 0.05 | X.X.X' ± 15° | DO NOT SCALE | FINISH: | SCALE: 2:1 | SIZE: A3 |
| BREAK ALL SHARP EDGES AND REMOVE ALL BURRS | | THIRD ANGLE PROJECTION | | | |

| | | | |
|-----------------|--|--|----------------|
| Amphenol | | Amphenol Australia Pty.Ltd, 22 Industry Blvd, Carrum Downs VIC 3201 | |
| TITLE: | HP PANEL MOUNT POWER OUT - GREY CUSTOMER DWG | PART No: | HP-3-MDGW |
| | | DRAWING No. | 55011014-000-2 |
| | | REV | 1 |
| | | SHEET | 2 / 2 |

CB4.17.F1